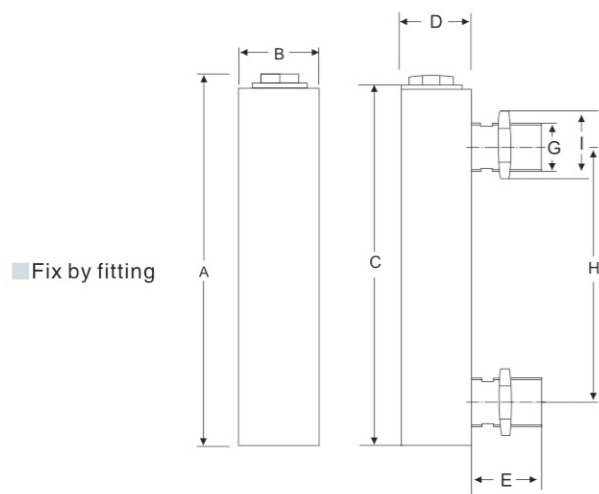


LZM Series Acrylic Flow Meter

LZM-J Series

Technical Parameters of LZM-J series Panel Type Flow Meter

Model	Range			Screw Thread	Accuracy	Size (mm)								
	GPM (Liquid)	LPM (Liquid)	Nm ³ /h(Gas)			A	B	C	D	E	F	G	H	I
LZM-15J	0.1-1	0.5-4	1-10 1.6-16 2.5-25 4-40	(M) 1/2" NPT (M) 1/2" BSP	±4%	216	32	206	37	33	100	1/2"	165	30
	0.2-2	0.8-8												
	0.3-3	1-11												
	0.5-5	2-18												
	1-7	2-28												
LZM-20J	1.5-9	400-2000LPH	2.5-25 6-60 16-80 16-160	(M) 3/4" NPT (M) 3/4" BSP	±4%	233	39	220	44	49	100	3/4"	165	32
2-10	8-40													
2-16	8-60													
LZM-25J	2-20	8-80	20-200 25-250	(M) 1" NPT (M) 1" BSP	±4%	253	44	240	50	48	100	1"	175	40
	1.5-15	6-60												
	3-13	10-50												
	4-24	10-100												
	5-35	10-130												
	5-45	20-170												



The material of the LZM-series Flow Meter

Fitting	Float	O-ring
√ 1.ABS 2.PP 3.PVC 4.Brass 5.Brass chromeplate 6.SS	√ 1.SS 2.Agata ball 3.PTFE	√ 1.Silicon rubber 2.Fluorin rubber 3.Butyl

Note:Mark with√, the material of the Flow Meter is the General Configuration

LZM Series Acrylic Flow Meter

LZM-Series

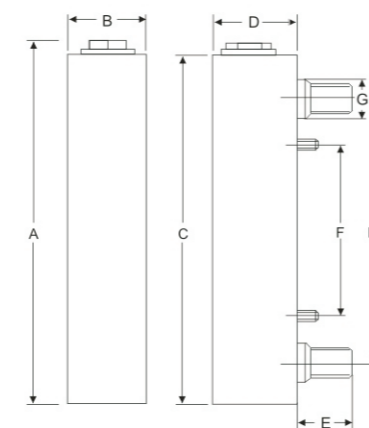
Technical Parameters of LZM-series Panel Type Flow Meter

Model	Range			Screw Thread	Accuracy	Size (mm)							
	GPM (Liquid)	LPM (Liquid)	Nm ³ /h(Gas)			A	B	C	D	E	F	G	H
LZM-15	0.1-1	0.5-4	1-10 1.6-16 2.5-25 4-40	(M) 1/2"BSPT	±4%	216	32	206	37	36	100	28	165
	0.2-2	0.8-8											
	0.3-3	1-11											
	0.5-5	2-18											
	1-7	2-28											
	1.5-9	400-2000LPH											
LZM-20	2-10	8-40	2.5-25 6-60 16-80 16-160	(M) 3/4"BSPT	±4%	233	39	220	44	42	100	37	165
	2-16	8-60											
	2-20	8-80											
LZM-25	1.5-15	6-60	20-200 25-250	(M) 1"BSPT	±4%	253	44	240	50	31	100	37	175
	3-13	10-50											
	4-24	10-100											
	5-35	10-130											
	5-45	20-170											
LZM-40	10-45	40-170		(M) 1 1/2"BSPT	±4%	265	62	250	62	33	100	52	170
	15-50	60-200											
	10-60	60-240											
	20-70	80-260											
	20-80	80-300											

The material of LZM-series Flow Meter

Fitting	Float	O-ring
√ 1.ABS 2.PP 3.PVC 4.Brass 5.Brass chromeplate 6.SS	√ 1.SS 2.Agata ball 3.PTFE	√ 1.Silicon rubber 2.Fluorin rubber 3.Butyl

Note:Mark with√, the material of the Flow Meter is the General Configuration



■ Fitting with nuts

